

» 837 Series Water Closet Carrier

Off-The-Floor Water Closet Carriers

Off-the-floor water closets are mounted to steel threaded rods, which are attached to a support or 'carrier' behind the finished wall. This carrier is anchored to the floor and bears the load of the fixture.

The most obvious advantages of off-the-floor water closets are installation and sanitation/maintenance.

Installation Benefits

Floor-mounted water closets require a slab penetration at each location. Waste piping must then run under the slab, which in multi-story buildings, requires accessible concealment in the ceiling of the floor below.

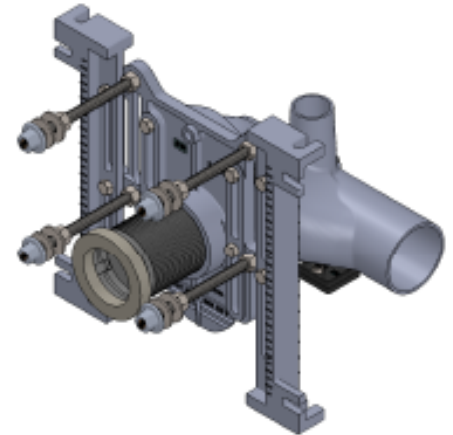
In contrast, off-the-floor installations do not require slab penetration in the toilet room. Since all piping is behind the wall, there is no need for ceiling modification. Off-the-floor support systems also allow for prefabrication, which can save time.

Sanitation/Maintenance Benefits

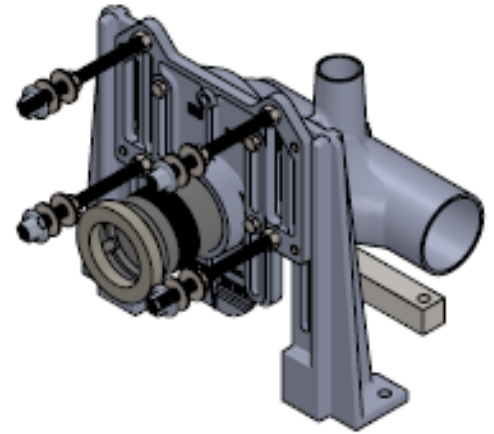
Although floor mounted and off-the-floor installations have similar mechanical service requirements, off-the-floor installations are generally considered easier to service and maintain.

The ability to maintain a clean environment is one of the most important considerations in toilet room design. Cleaning under off-the-floor fixtures is much easier than cleaning around and behind floor-mounted water closets. Deterioration of the floor where the fixture is mounted can also contribute to unsanitary conditions.

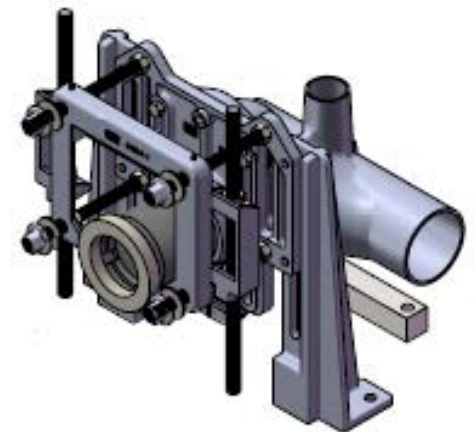
Note: Local building or plumbing codes may require modifications to the information provided. Consult local codes before installation. If this guide is not consistent with local building or plumbing codes, the local codes should be followed.



Standard



Extra-Heavy



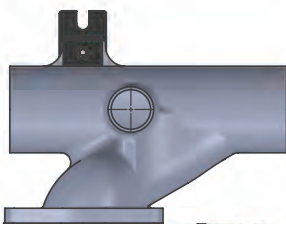
Bariatric

837 Series Water Closet Carrier

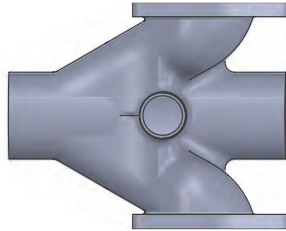
STEP 1: Determine the flow direction of the closet carrier fitting by **FACING THE BOWL**

If the flow is **FROM the RIGHT**, a right-hand fitting is required

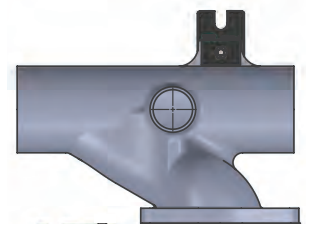
If the flow is **FROM the LEFT**, a left-hand fitting is required



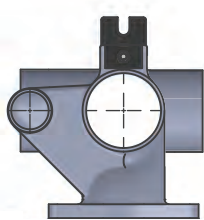
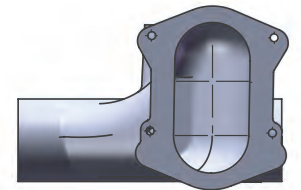
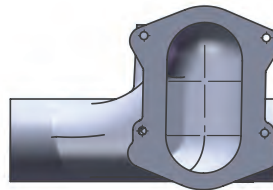
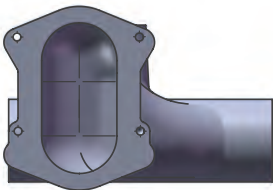
Horizontal Single Carrier Fitting - Left Hand



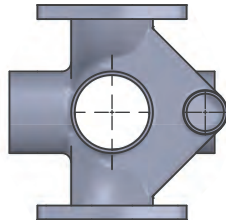
Horizontal Double Carrier Fitting



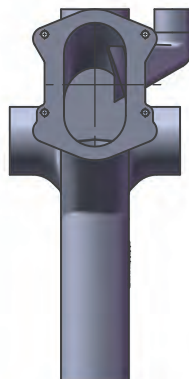
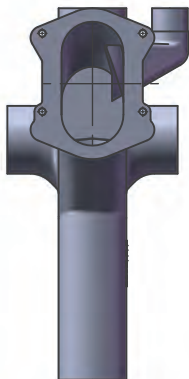
Horizontal Single Carrier Fitting - Right Hand



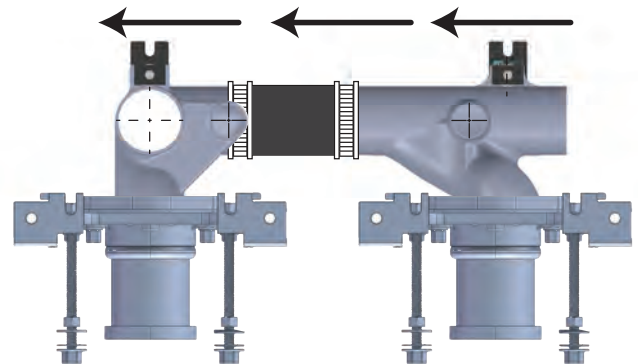
Vertical Single Carrier Fitting Two Side Inlets¹



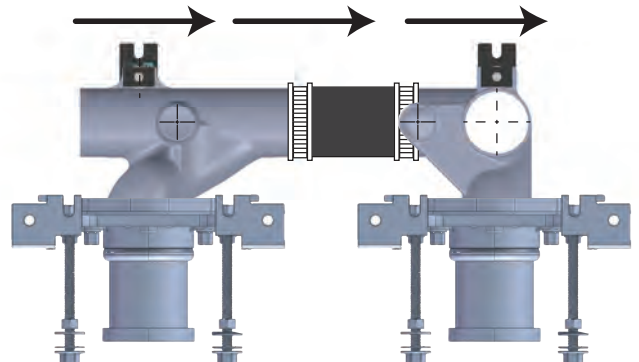
Vertical Double Carrier Fitting Two Side Inlets¹



Flow FROM the RIGHT = Right Hand Carrier



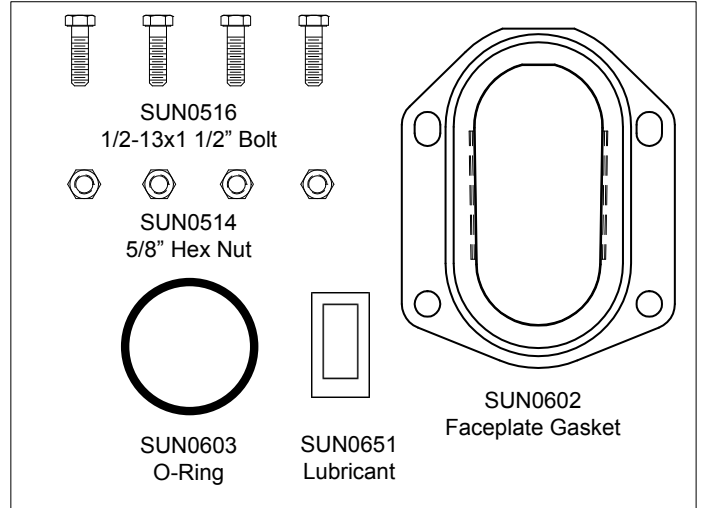
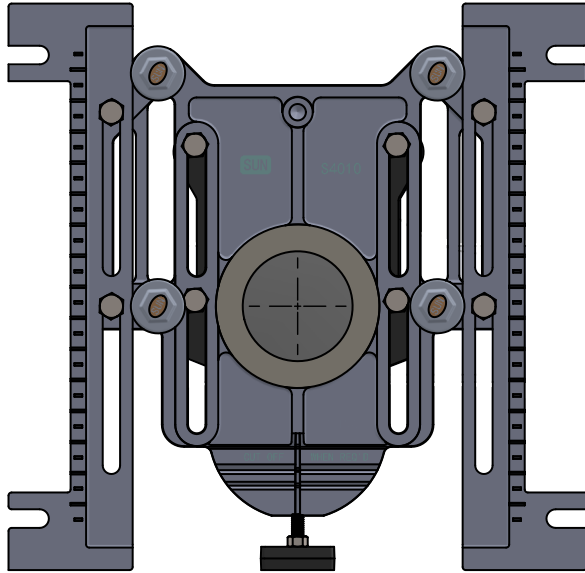
Flow FROM the LEFT = Left Hand Carrier



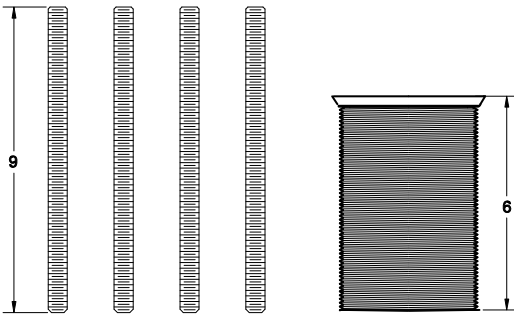
¹ For vertical carriers having a right-side inlet, left-side inlet, or no inlets, a factory-installed cap is used on one or both side inlets of the supplied fitting

837 Series Water Closet Carrier

STEP 2: Verify all components of the faceplate assembly

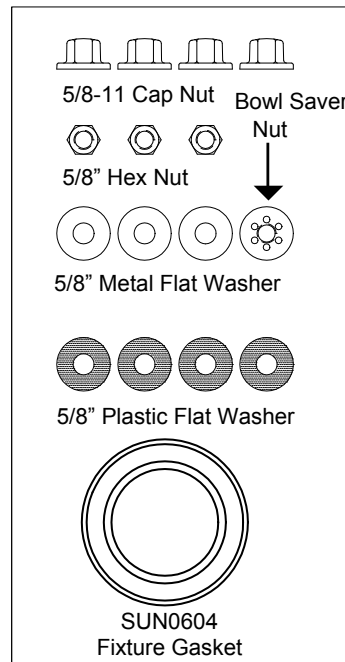


HW5500-R
Rough-in Hardware Bag

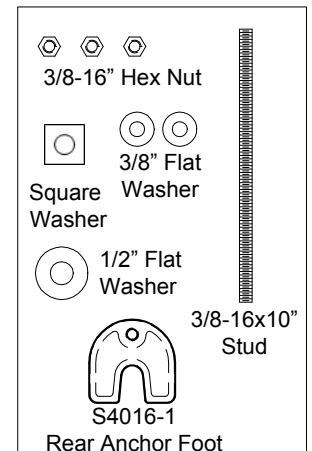


HW5500-S
5/8-11x9"
Threaded Rod (4 pcs)

S4020
6" Coupling



HW5500-F
Finish Hardware Bag



HW5500-RA
Rear Anchor Support

837 Series Water Closet Carrier

STEP 3: Layout all of the closet fittings on the floor and connect with the proper length of pipe between adjoining fittings. Support each pipe segment for correct pitch and elevation. Ensure all fitting faces are parallel and aligned.

STEP 4: Remove faceplate gasket from box and place on the carrier fitting face. Locate the ribs on the gasket and align onto the oval opening of the fitting. Ensure the four holes in the gasket properly align with the four tapped holes in the carrier fitting.

STEP 5: From the fixture manufacturer's rough-in sheet, determine the recommended rough-in height to the closet horn. Remove the lugs on the bottom of the faceplate to achieve the correct height.

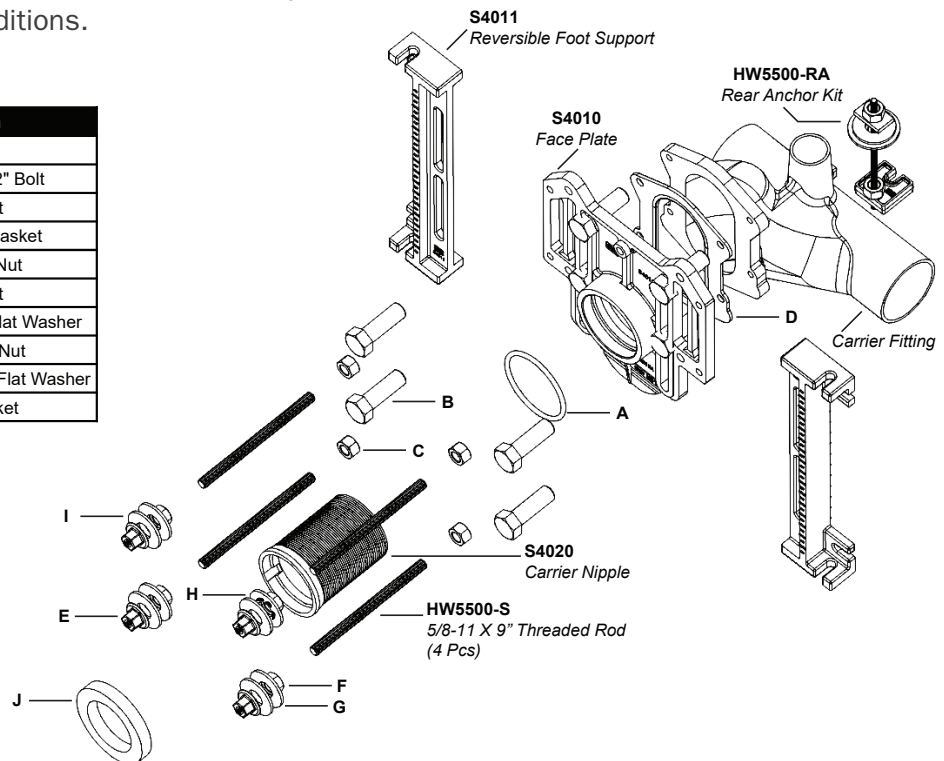
STEP 6: Bolt faceplate onto fitting using provided hardware. Hand tighten.

STEP 7: Adjust feet on faceplate assemblies so that the bottom of the feet are parallel to the faceplate. Securely tighten the bolts with a wrench. Subsequent fittings and faceplates should be aligned lower to allow for proper drainage pitch. After this adjustment is made, tighten all bolts uniformly until the gasket is sufficiently compressed.

STEP 8: Move the carrier system into the desired position. Verify the carrier alignments and leveling and connect to waste stack. Confirm closet outlets are in proper position horizontally and vertically. Secure feet to floor using 1/2" anchor bolts (not included) of proper style and length for existing floor conditions.

STEP 9: If the carriers are single fittings, install the rear anchor foot assembly. Screw the threaded rod into the foot and secure with locknut. Place the assembly into position with the anchor slot on the rear of the carrier fitting. Secure with two washers and two hex nuts. Adjust and tighten so that the anchor foot remains in contact with concrete floor. Secure anchor foot to floor using 1/2" anchor bolt (not included) of proper style and length for existing floor conditions.

Kit Number	Desig.	Qty.	Part No.	Description
HW5500-R Rough In HDW Bag	A	1	SUN0603	O-Ring
	B	4	SUN0516	1/2-13x1-1/2" Bolt
	C	4	SUN0514	5/8" Hex Nut
	D	1	SUN0602	Faceplate Gasket
HW5500-F Finish HDW Bag	E	4	--	5/8-11 Cap Nut
	F	3	--	5/8" Hex Nut
	G	3	--	5/8" Metal Flat Washer
	H	1	--	Bowl Saver Nut
	I	4	--	5/8" Plastic Flat Washer
	J	1	SUN0604	Fixture Gasket



837 Series Water Closet Carrier

STEP 10: Thread the four threaded rods through the leg slots and into the faceplate. Adjust the rods so that they will extend X" beyond the finished wall (X = the thickness of the fixture mounting flange, + 11/16 "). Lock rods in place with 5/8" hex nuts. Note: if rods are too long, they may prevent proper compression of the gasket between the fixture and the carrier coupling. Slide plastic sleeves over the four threaded rods. If desired, the 837-TF tiling frame (available separately) can be installed prior to finished wall installation.

STEP 11: The carrier coupling should protrude out approx. 5/16" beyond the finished wall, or as determined by the fixture manufacturer's recommendation. If the coupling must be cut to shorten, cut the threaded end. Smooth and deburr the cut end before threading into the faceplate

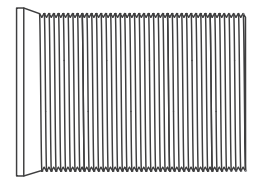
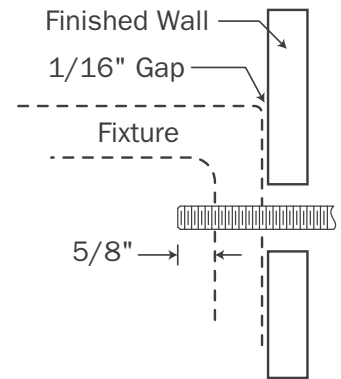
to prevent damage to the o-ring. Insert the o-ring (included with threaded coupling) into the groove in the threaded opening of the faceplate. Lubricate the o-ring and coupling threads generously with lube provided. Thread the coupling into the faceplate until it engages the o-ring. Using a strap wrench or bar tool, continue threading the coupling into/past the o-ring to make a positive seal between the coupling and the faceplate. Installation of the o-ring is critical. Carefully inspect the o-ring and faceplate groove. Improper installation of the o-ring may cause a leak behind the finished wall. Once the carrier coupling is installed, pressure test the fixture carrier assembly according to local code requirements.

STEP 12: Following a successful system test and installation of the finished wall, knock out the carrier coupling's test cap and remove any sharp edges or debris.

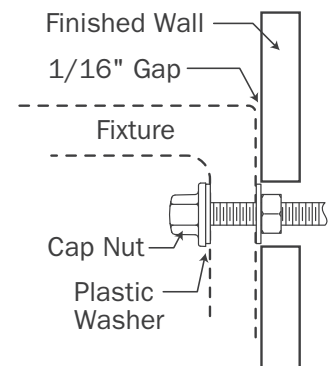
STEP 13: Thread a 5/8" nut and steel flat washer on to each of the four threaded rods. Adjust the nut/washer so they allow a 1/16" gap between the back of the fixture and the finished wall surface. Minor adjustments may be necessary as the back of the fixture may not be completely flat.

STEP 14: Remove fixture gasket from the box and remove center portion. Peel backing from one side and push sticky side of gasket firmly into recess around fixture outlet.

STEP 15: Before setting the fixture, confirm the position of the carrier coupling to be sure it will make flat, compressed contact with fixture gasket around the fixture outlet. Peel remaining backing from fixture gasket. Carefully slide fixture completely over four threaded rods, making sure the fixture gasket makes a positive seal with the carrier coupling. Load four plastic washers over rods, then secure fixture using four polished 5/8" cap nuts. Tighten cap nuts by hand, then an additional 1/2-turn with a wrench. To reduce potential stress on the fixture flange, which can cause cracking under heavy loads, one of the four cap nuts may be left hand tight - this is at the discretion of the installer. The back of the fixture should remain 1/16" from the finished wall.



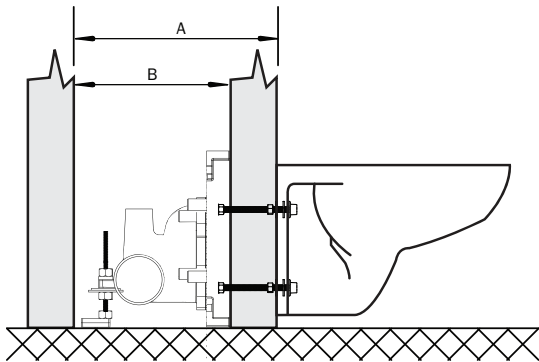
Threaded Carrier Coupling



837 Series Water Closet Carrier

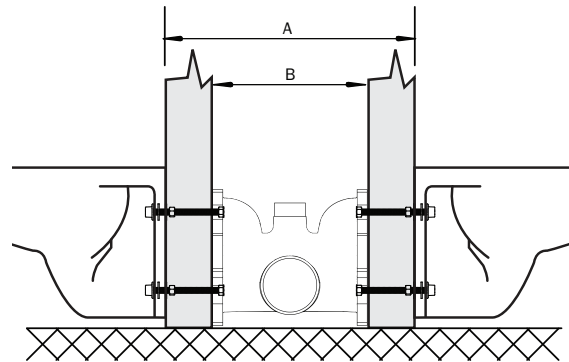
Basic Dimensions: Minimum wall chase requirements

Single Horizontal Adjustable Carrier Fittings



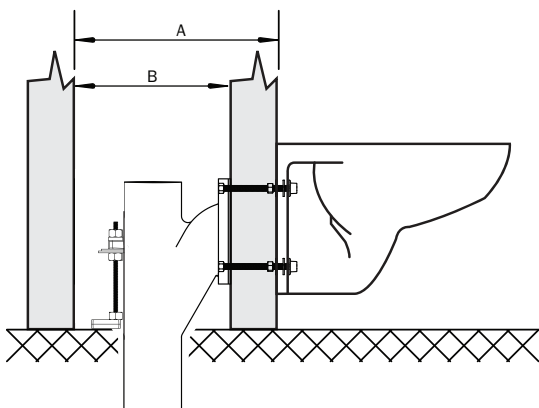
SINGLES		
Product No.	A	B
837-HS Series	13.16"	11.30"

Double Horizontal Adjustable Carrier Fittings



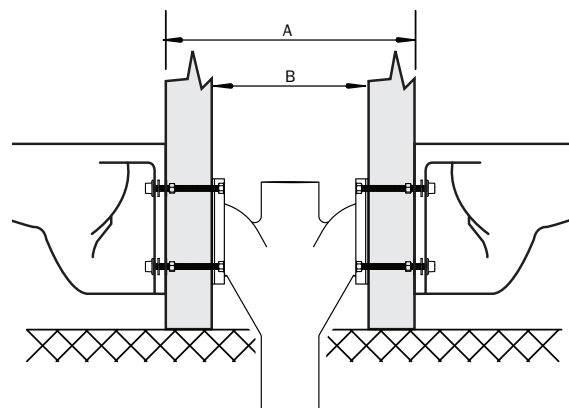
DOUBLES		
Product No.	A	B
837-HSD Series	16.95"	13.20"

Single Vertical Adjustable Carrier Fittings



SINGLES		
Product No.	A	B
837-VS10 Series	13.16"	11.30"

Double Vertical Adjustable Carrier Fittings

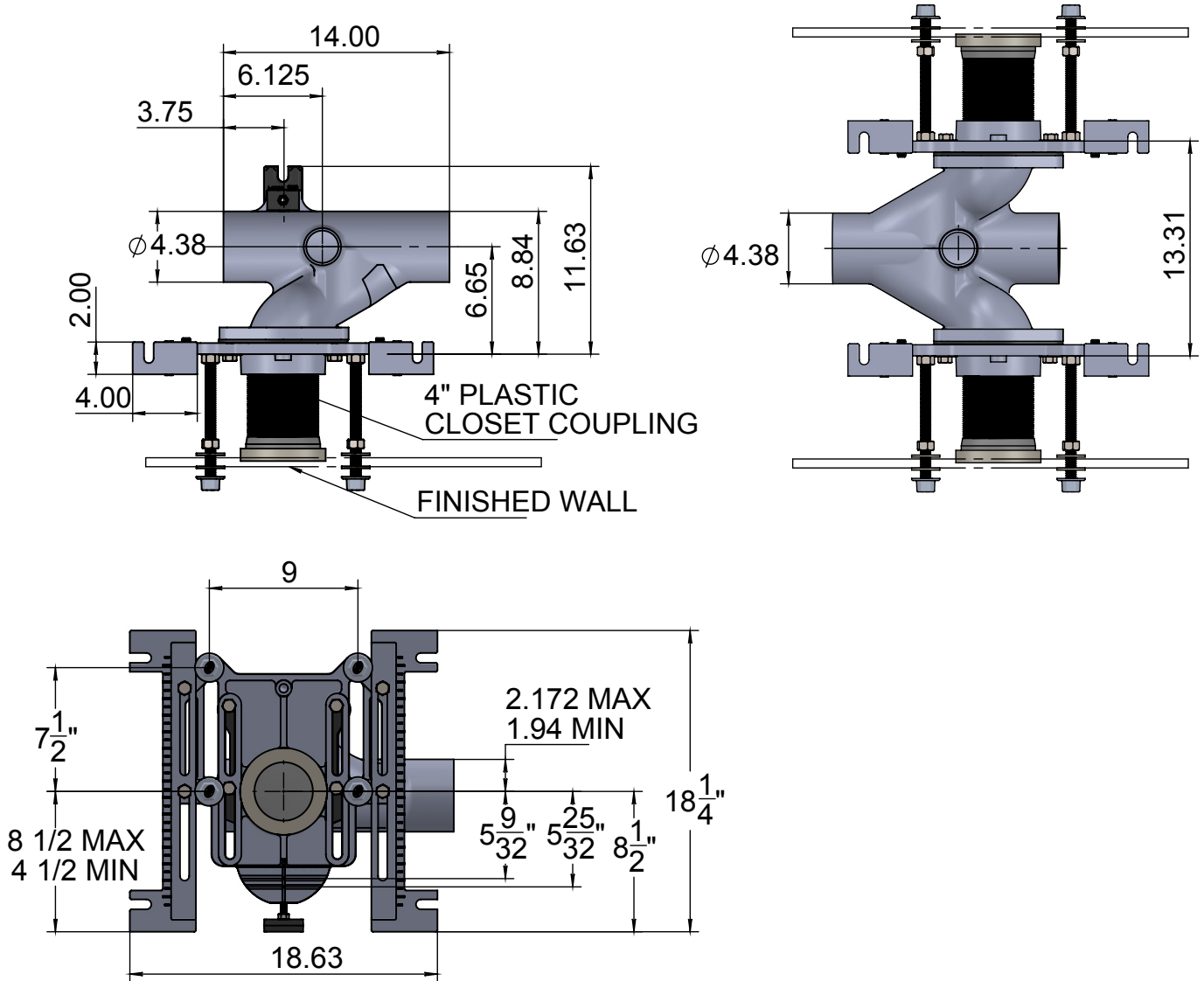


DOUBLES		
Product No.	A	B
837-VS20 Series	16.95"	13.20"

Installation Guide

837 Series Water Closet Carrier

Basic Dimensions: Standard Horizontal Carrier



837 Series Water Closet Carrier

Basic Dimensions: Standard Vertical Carrier

